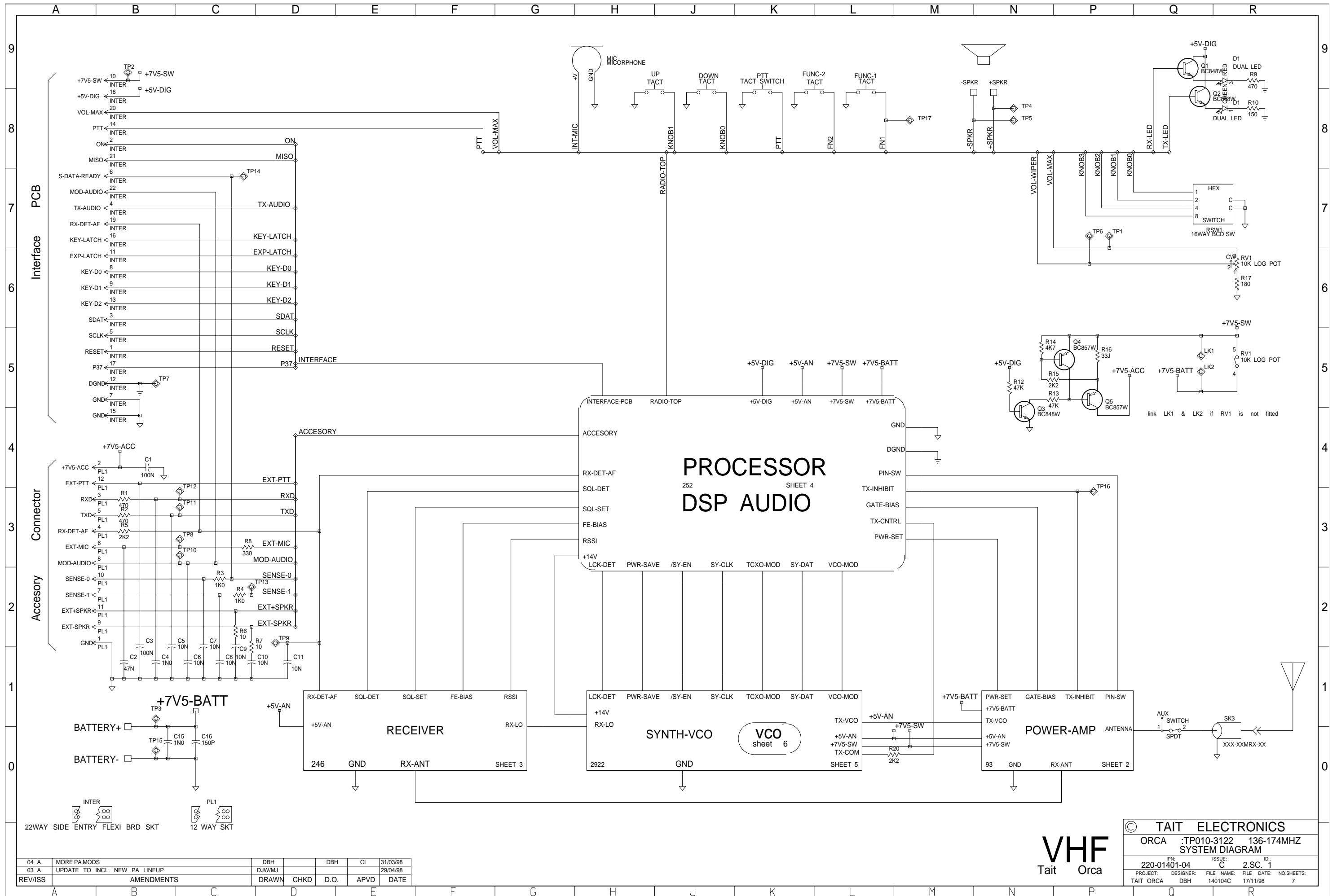


TAIT ELECTRONICS	IPN: 220-01401-04	ISS: -04B	ID: 6.BA	DATE: 13 Jul 1998
ORCA VHF PCB LAYOUT - BOTTOM SIDE				



04 A	MORE PAMODS	DBH	DBH	CI	31/03/98
03 A	UPDATE TO INCL. NEW PA LINEUP	DJW/MJ			29/04/98
REV/ISS	AMENDMENTS	DRAWN	CHKD	D.O.	APVD
					DATE

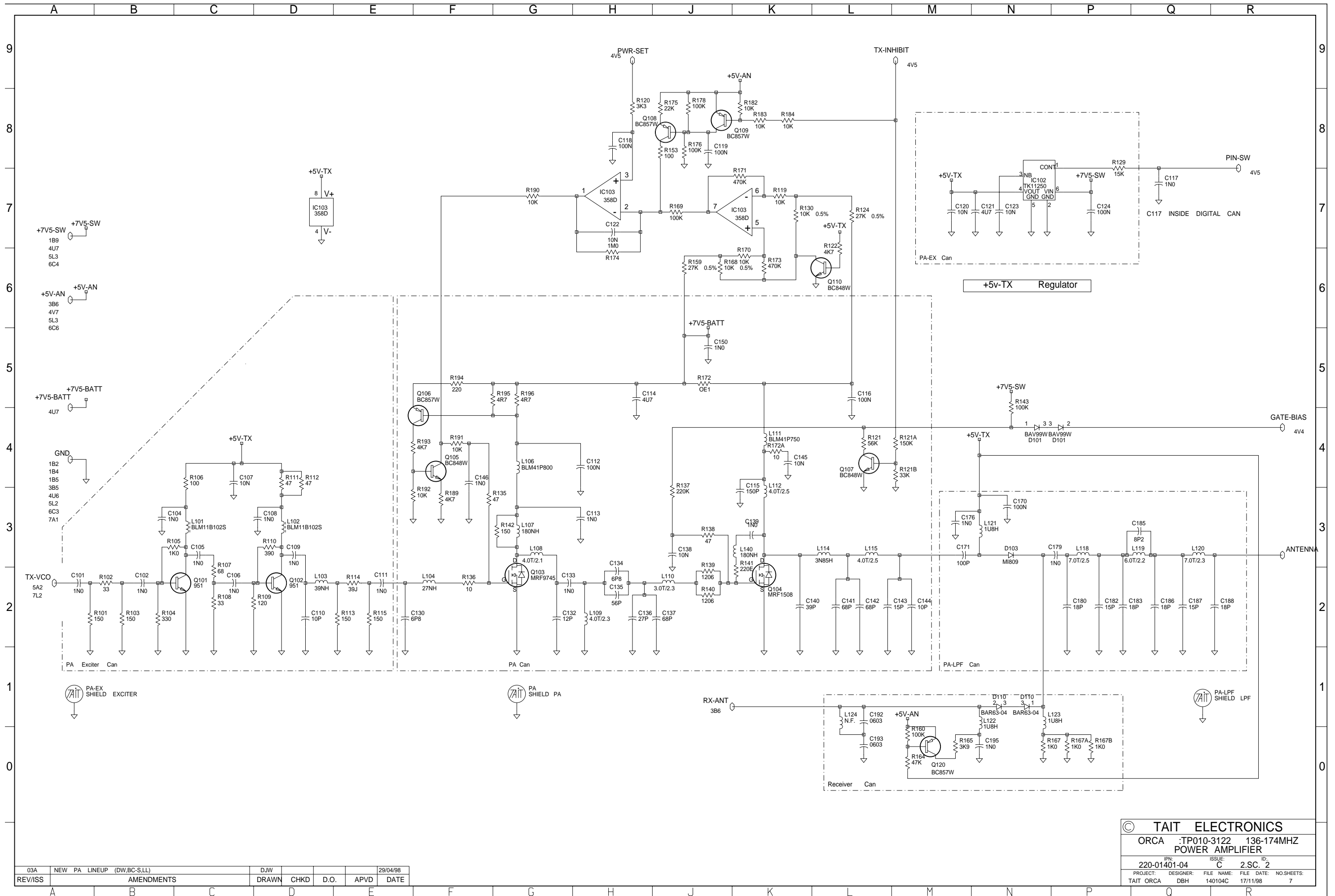
TAIT ELECTRONICS

VHF
Tait Orca

ORCA :TP010-3122 136-174MHZ
SYSTEM DIAGRAM

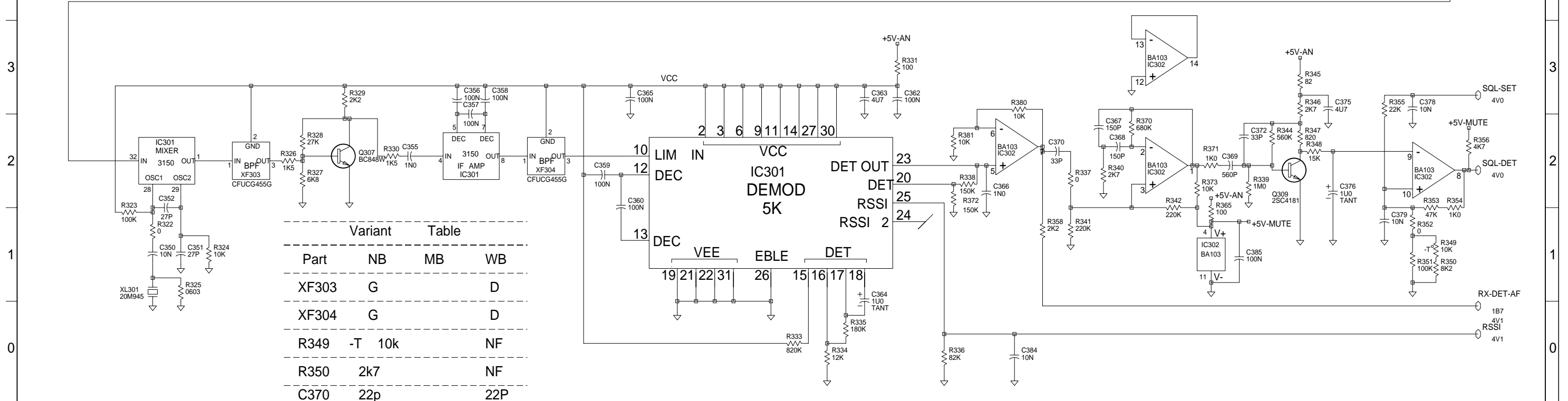
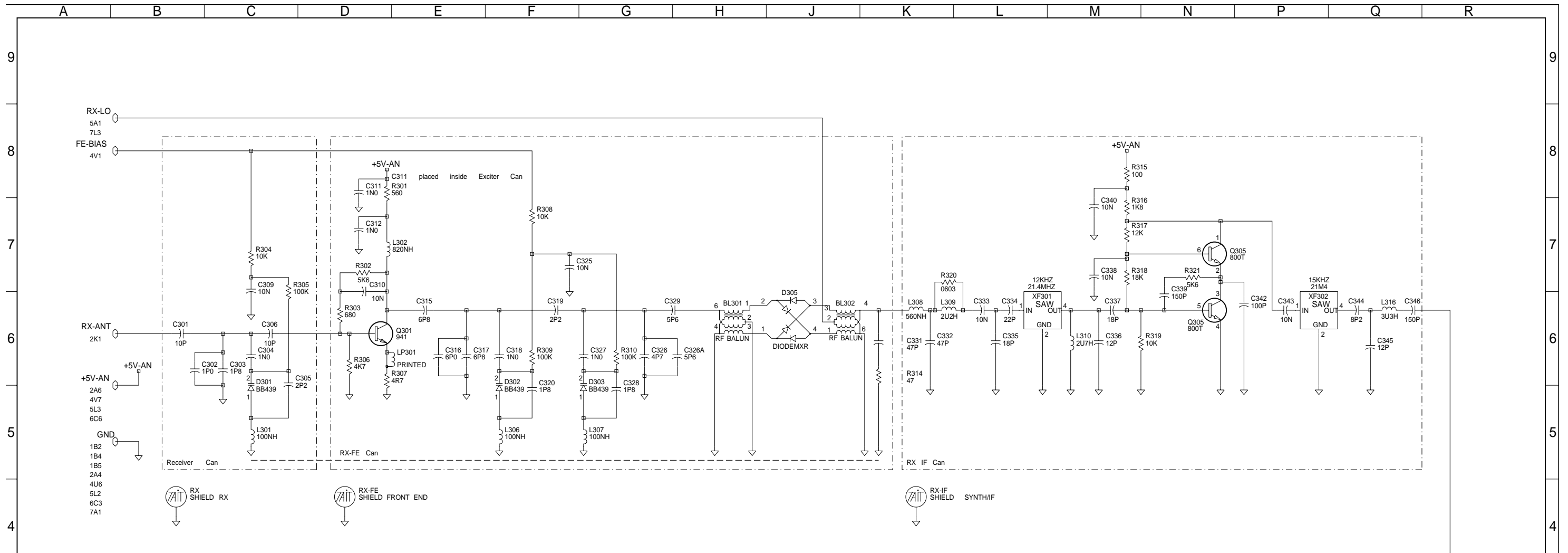
IPN: 220-01401-04 ISSUE: C ID: 2.S.C. 1

PROJECT: TAIT ORCA DESIGNER: DBH FILE NAME: 140104C FILE DATE: 17/11/98 NO.SHEETS: 7



TAIT ELECTRONICS	
ORCA :TP010-3122 136-174MHZ POWER AMPLIFIER	
IPN: 220-01401-04	ISSUE: C 2.S.C. 2
PROJECT: TAIT ORCA	DESIGNER: DBH
FILE NAME: 140104C	DATE: 17/11/98
NO. SHEETS: 7	

03A	NEW PA LINEUP (DW,BC-S,LL)	DJW	CHKD	D.O.	APVD	29/04/98
REVISS	AMENDMENTS	DRAWN	CHKD	D.O.	APVD	DATE



Variant Table

Part	NB	MB	WB
XF303	G		D
XF304	G		D
R349	-T	10k	NF
R350	2k7		NF
C370	22p		22P
C369	330P		330P

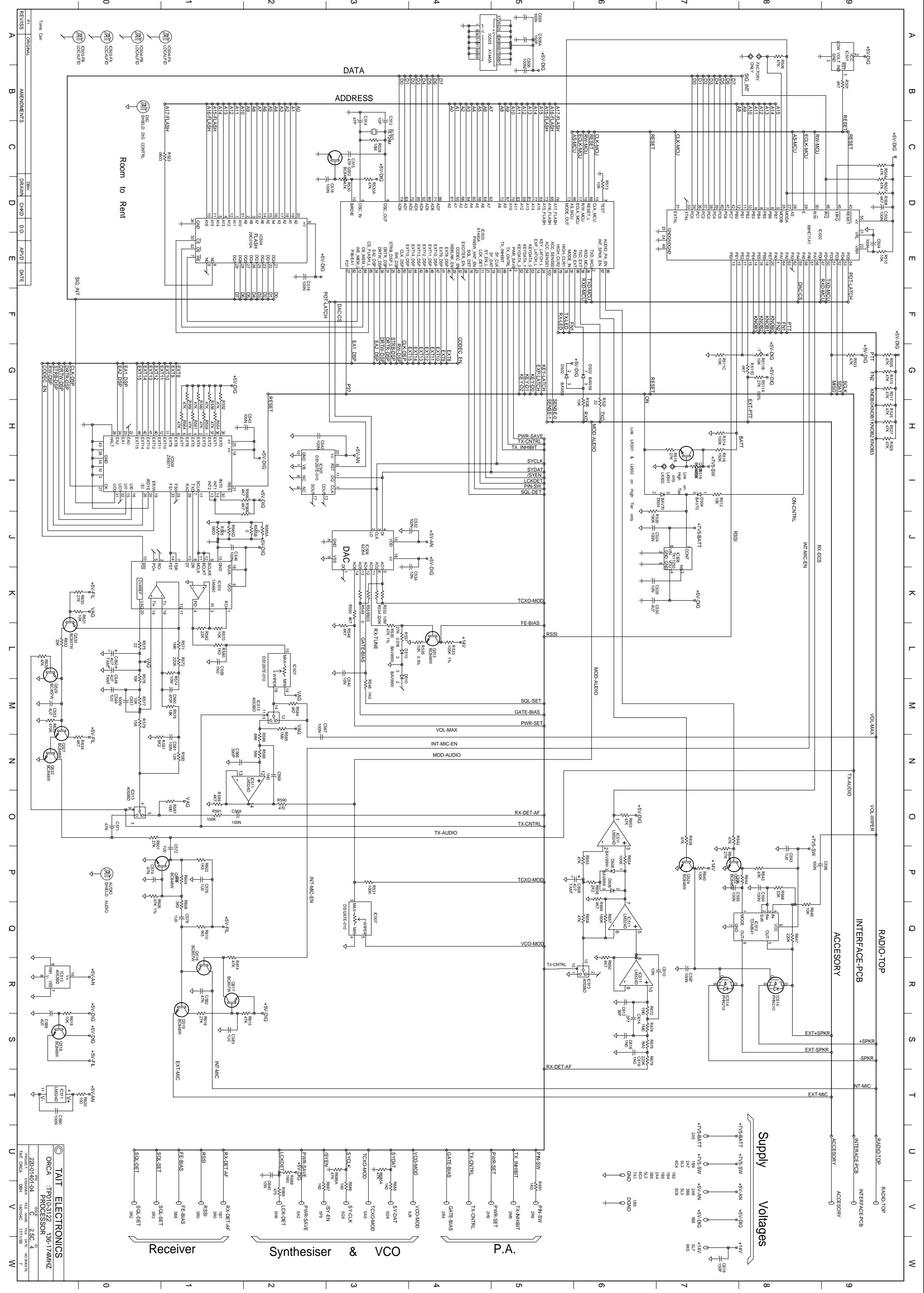
03 A COMP.VALUE CHANGES IN FRONT END.		DJW	28/04/98			
REV/ISS	AMENDMENTS	DRAWN	CHKD	D.O.	APVD	DATE

TAIT ELECTRONICS

ORCA :TP010-3122 136-174MHZ RECEIVER

IPN: 220-01401-04 ISSUE: C 2.S.C. 3

PROJECT: TAIT ORCA DESIGNER: DBH FILE NAME: 140104C FILE DATE: 17/11/98 NO.SHEETS: 7

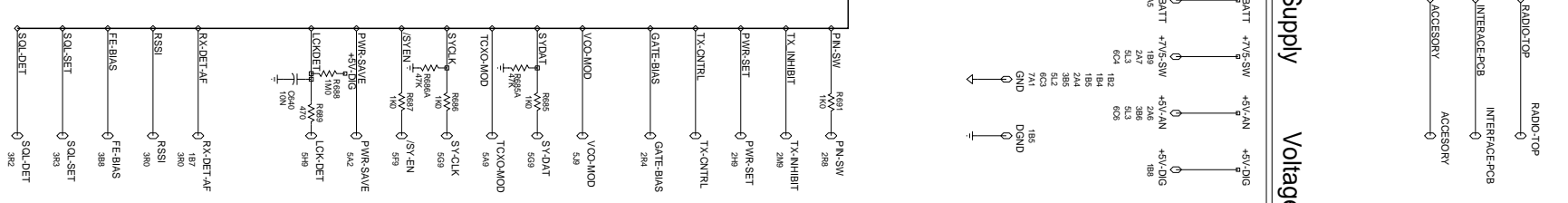


Receiver

Synthesiser & VCO

P.A.

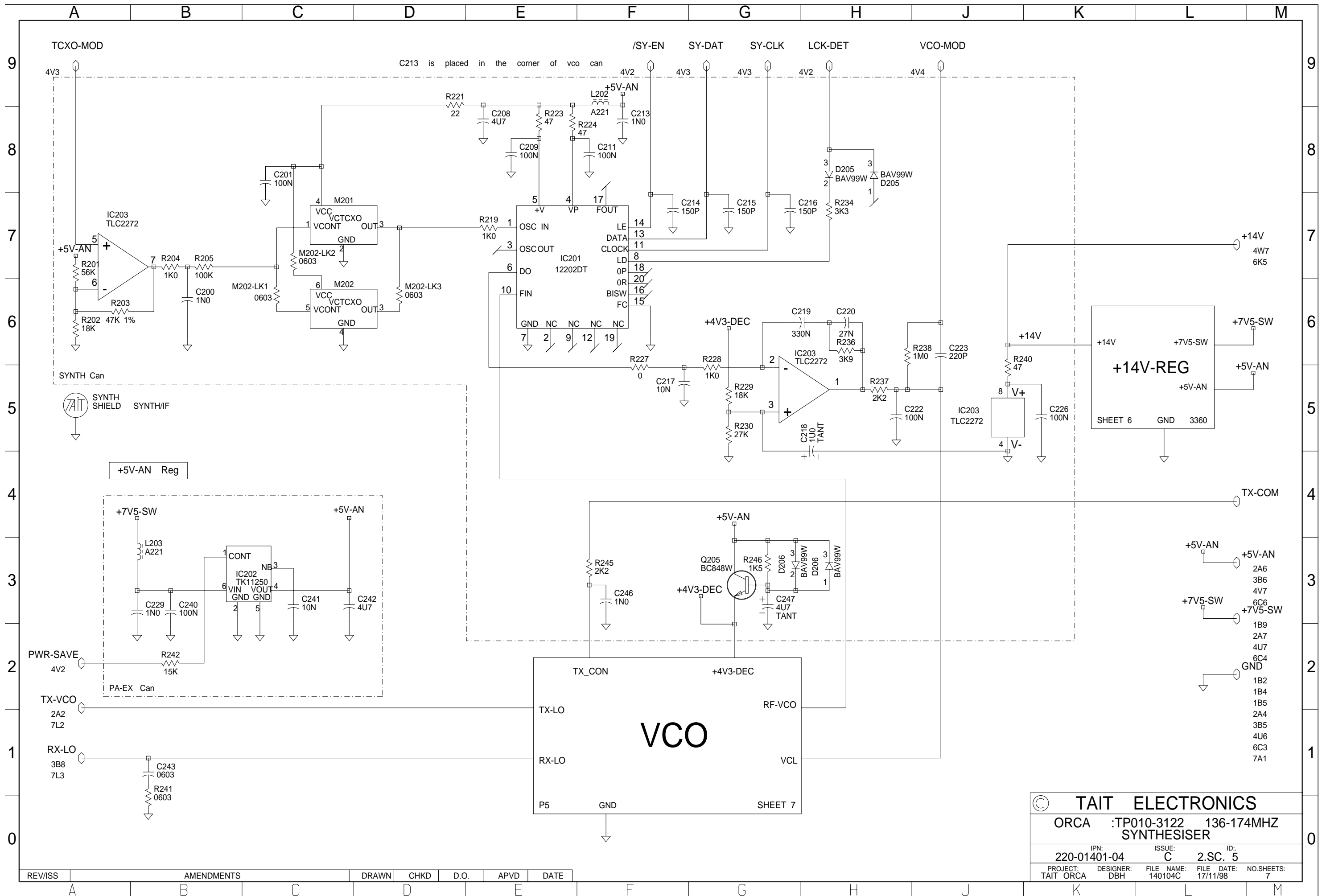
Supply Voltages



Component	Value	Reference Designator
+5V/DIG	100	R85
+5V/AN	100	R86
+7.5/BATT	200	R87
+7.5/SW	200	R88
+14V	100	R89
GND	100	R90

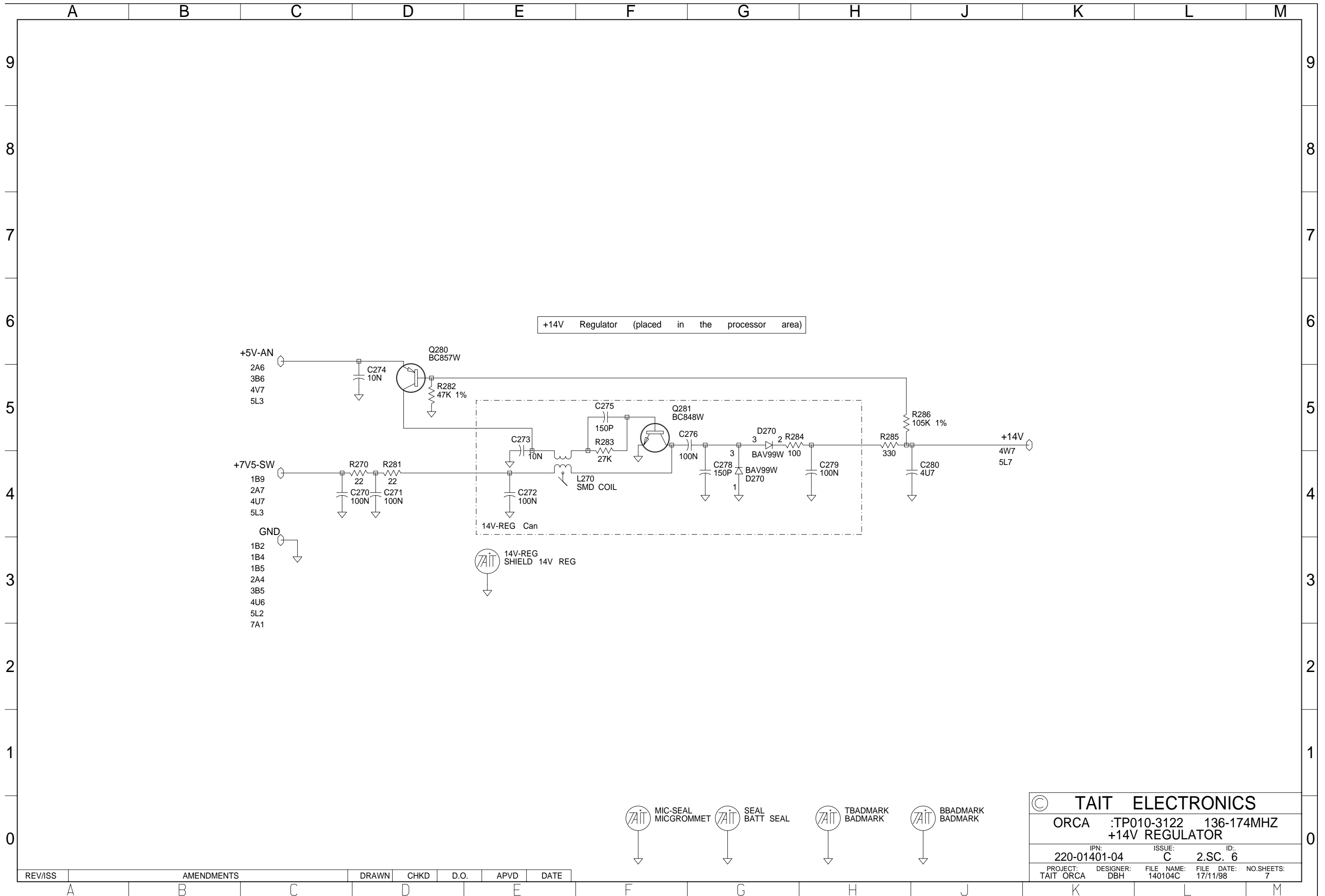
REV	DATE	BY	CHKD	DO	APVD
01	2020-01-04	ORCA	ORCA	140100C	17/11/98

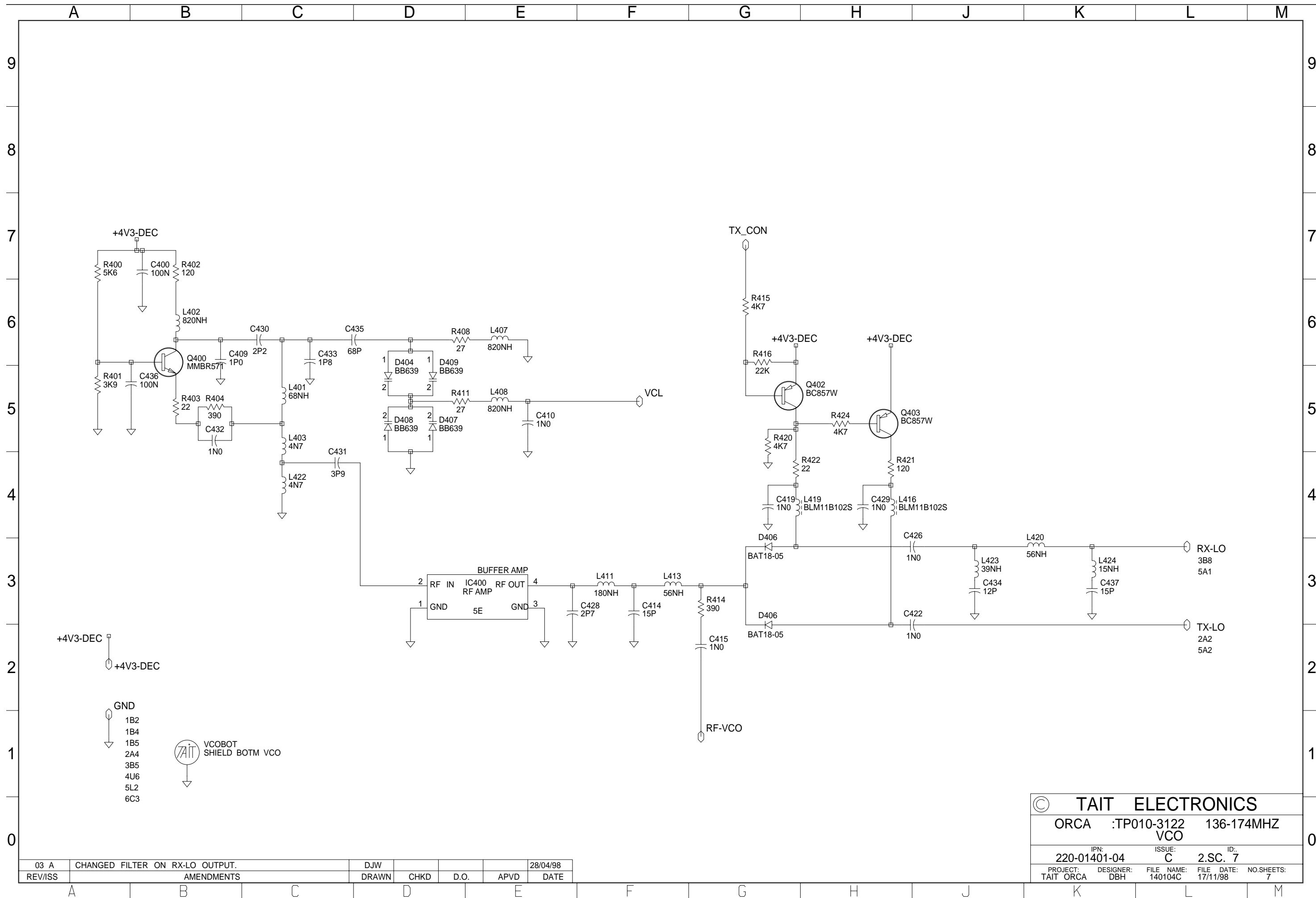
TAIT ELECTRONICS
 ORCA : Pp0103122 136-174MHZ
 PROCESSOR



© TAIT ELECTRONICS			
ORCA		:TP010-3122 136-174MHZ SYNTHESISER	
IPN:	ISSUE:	ID.:	
220-01401-04	C	2.SC. 5	
PROJECT:	DESIGNER:	FILE NAME:	FILE DATE:
TAIT ORCA	DBH	140104C	17/11/98
NO.SHEETS:		7	

REV/ISS	AMENDMENTS	DRAWN	CHKD	D.O.	APVD	DATE





© TAIT ELECTRONICS			
ORCA	:TP010-3122	136-174MHZ	VCO
IPN:	ISSUE:	ID:	
220-01401-04	C	2.SC. 7	
PROJECT:	DESIGNER:	FILE NAME:	FILE DATE:
TAIT ORCA	DBH	140104C	17/11/98
			NO.SHEETS: 7

03 A	CHANGED FILTER ON RX-LO OUTPUT.	DJW				28/04/98
REV/ISS	AMENDMENTS	DRAWN	CHKD	D.O.	APVD	DATE